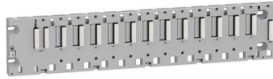


Product data sheet

Specifications



Backplane, Modicon X80, 12 slots, panel, mounting plate mounted



BMXXBP1200

Product availability: Stock - Normally stocked in distribution facility

Main

Range of Product	Modicon X80
Product or Component Type	Backplane

Complementary

Number of slots	12 bus X
Product Compatibility	BMXP34 processor BMXCPS power supply I/O module Specific application module
Power consumption in W	0.17 W
Electrical connection	1 connector (XBE) expansion module
Fixing mode	By 4 M4/M5/M6 screws panel By 4 M4/M5/M6 screws mounting plate
Height	4.08 in (103.7 mm)
Width	19.8 in (503.2 mm)
Depth	0.7 in (19 mm)
Net Weight	2.80 lb(US) (1.27 kg)

Environment

IP Degree of Protection	IP20
Ambient Air Temperature for Operation	32...140 °F (0...60 °C)
Relative Humidity	10...95 % without condensation
Directives	2014/35/EU - low voltage directive 2014/30/EU - electromagnetic compatibility

Product certifications	CE UL CSA RCM EAC UKCA Merchant Navy
------------------------	--

Standards	EN/IEC 61131-2 EN/IEC 61010-2-201 UL 61010-2-201 CSA C22.2 No 61010-2-201 IACS E10 EN/IEC 61000-6-5, interface type 1 and type 2 EN/IEC 61850-3, location G
-----------	---

Ordering and shipping details

Price is "List Price" and may be subject to a trade discount – check with your local distributor or retailer for actual price.

Category	US1PC3418160
Discount Schedule	PC34
GTIN	3595863909029
Returnability	Yes
Country of origin	FR

Packing Units

Unit Type of Package 1	PCE
Number of Units in Package 1	1
Package 1 Height	2.756 in (7.000 cm)
Package 1 Width	6.299 in (16.000 cm)
Package 1 Length	22.362 in (56.800 cm)
Package 1 Weight	2.903 lb(US) (1.317 kg)
Unit Type of Package 2	S04
Number of Units in Package 2	8
Package 2 Height	11.811 in (30.000 cm)
Package 2 Width	15.748 in (40.000 cm)
Package 2 Length	23.622 in (60.000 cm)
Package 2 Weight	25.177 lb(US) (11.420 kg)
Unit Type of Package 3	P06
Number of Units in Package 3	32
Package 3 Height	29.528 in (75.000 cm)
Package 3 Width	23.622 in (60.000 cm)
Package 3 Length	31.496 in (80.000 cm)
Package 3 Weight	116.140 lb(US) (52.680 kg)

Contractual warranty

Warranty	18 months
----------	-----------

Sustainability

Green Premium™ label is Schneider Electric's commitment to delivering products with best-in-class environmental performance. Green Premium promises compliance with the latest regulations, transparency on environmental impacts, as well as circular and low-CO₂ products.

Guide to assessing product sustainability is a white paper that clarifies global eco-label standards and how to interpret environmental declarations.

[Learn more about Green Premium >](#)

[Guide to assess a product's sustainability >](#)



Transparency RoHS/REACH

Well-being performance

Mercury Free

Rohs Exemption Information Yes

Certifications & Standards

Reach Regulation [REACH Declaration](#)

Eu Rohs Directive Pro-active compliance (Product out of EU RoHS legal scope)

China Rohs Regulation [China RoHS declaration](#)

Environmental Disclosure [Product Environmental Profile](#)

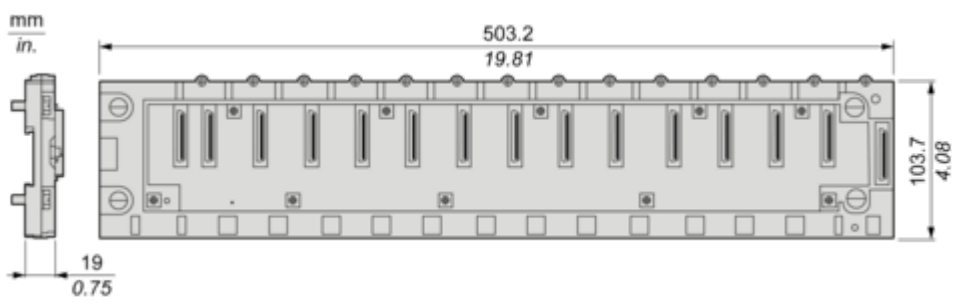
Weee The product must be disposed on European Union markets following specific waste collection and never end up in rubbish bins.

Circularity Profile [End of Life Information](#)

California Proposition 65 "WARNING: This product can expose you to chemicals including: Lead and lead compounds, which is known to the State of California to cause cancer and birth defects or other reproductive harm. For more information go to www.P65Warnings.ca.gov"

Dimensions Drawings

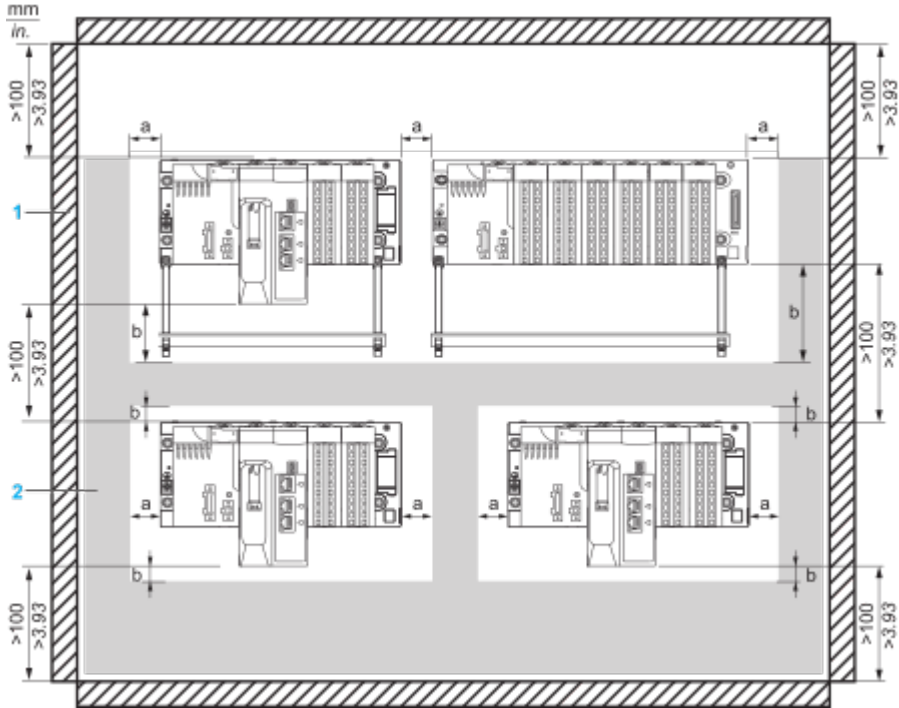
Dimensions



Mounting and Clearance

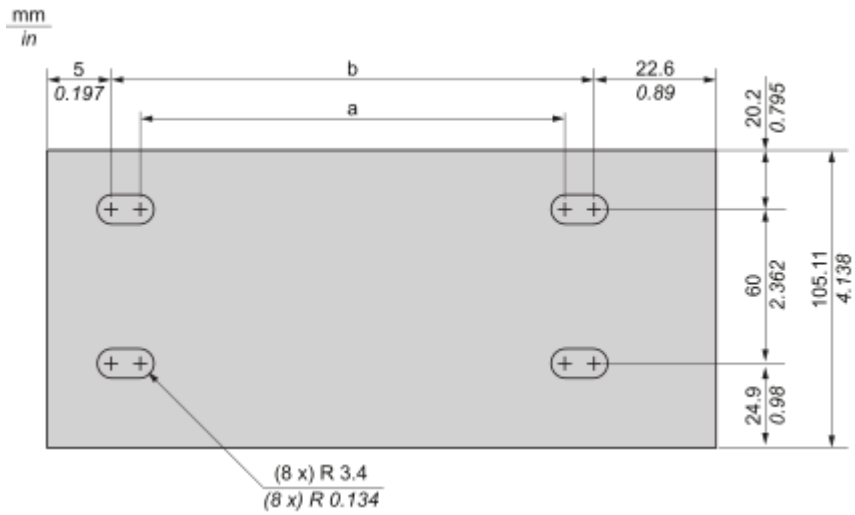
Minimum Clearance

Minimum Clearance of a typical installation in a cabinet with ducts

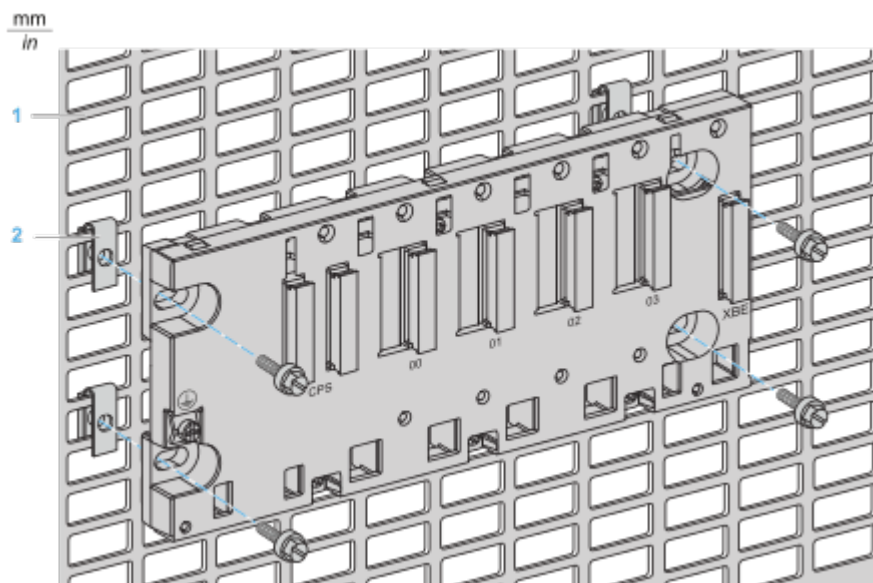


- a Side clearance: > 40 mm (1.57 in.)
- b Top and bottom clearance with surrounding objects: > 20 mm (0.79 in.)
- 1 Installation or casing
- 2 Wiring duct or tray

Mounting on panels



Rack Type	a	b	
X Bus racks	BMXXBP0400 BMXXBP0400H	202.1 mm (7.957 in)	214.8 mm (8.457 in)
	BMXXBP0600 BMXXBP0600H	267.5 mm (10.531 in)	280 mm (11.023 in)
	BMXXBP0800 BMXXBP0800H	332.5 mm (13.091 in)	345.2 mm (13.591 in)
	BMXXBP1200 BMXXBP1200H	462.9 mm (18.224 in)	475.6 mm (18.724 in)

Mounting on Telequick mounting plate

1 Telequick plate

2 Clip-on nuts

NOTE: The two right side screws are accessible until there is no rack extender module installed